

Operating Instructions

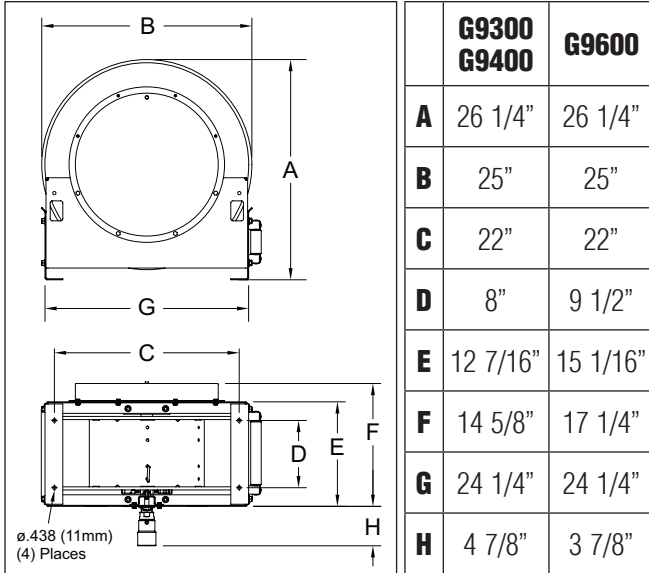
Series G9000 Spring Driven Hose Reels

Low and Medium Pressure Model Numbers:

G9465 OLPBW G9300 OMPBW
G9600 OLPBW G9400 OMPBW



Dimensions



SAFETY

1. Do not use reel at higher pressures or temperatures than listed on the back of this bulletin.
2. Remove all spring tension before beginning disassembly process.
3. Reel spring motor case is permanently sealed. Any attempt to remove the spring motor may cause serious injury.

INSTALLATION:

The swivel union is packed separately in the reel carton, use teflon tape to assure a satisfactory seal. A flexible hose connection must be used between the hose reel inlet and the source of supply to prevent possible misalignment and binding. Non flexible connections will void the warranty, pressure rating of inlet hose must be equal to or more than the pressure rating of the reel. Consult factory for proper spring when installing reels above 16 ft.

LUBRICATION:

Hose reel spring and bearings are factory lubricated and require no further lubrication.

REPLACING HOSE:

1. Wind spool flange clockwise-facing swivel-until spring is tight.
2. Back off three turns and latch.
3. Insert hose through roller guide.
4. Connect hose fitting to female outlet ell.

ADJUSTMENTS:

To adjust spring tension, add or remove wraps of hose from the spool, one wrap at a time until desired tension is obtained.

REPAIRS:

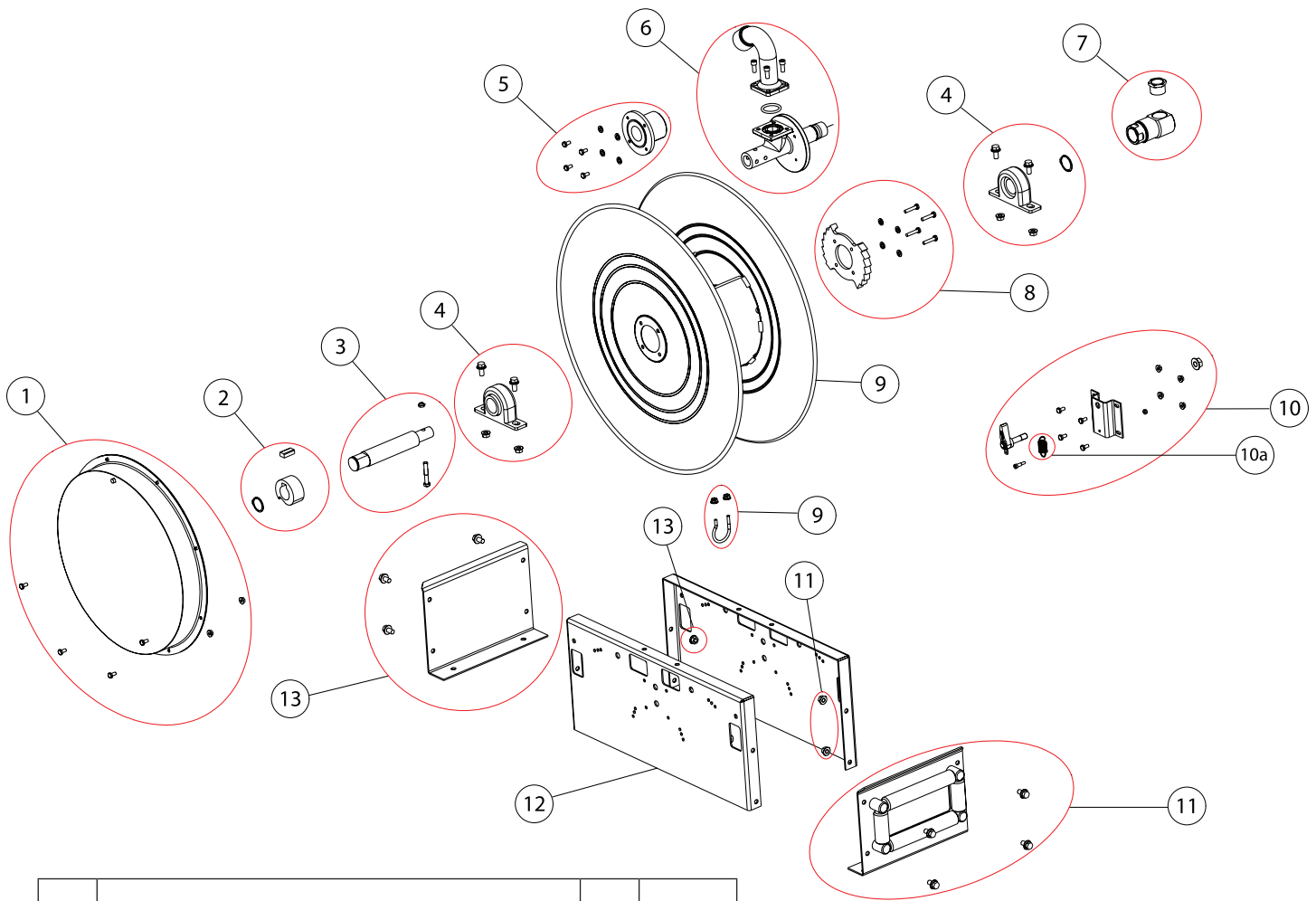
Extensive repairs should be performed only by an authorized serviceman or factory to avoid damage which may void your warranty. Remove all spring tension before beginning disassembly process.

MODIFICATION:

Hose latching mechanism can be removed for constant tension applications.

Form# 1297-217 Rev: 9/2025

Series G9000 Spring Driven Hose Reels

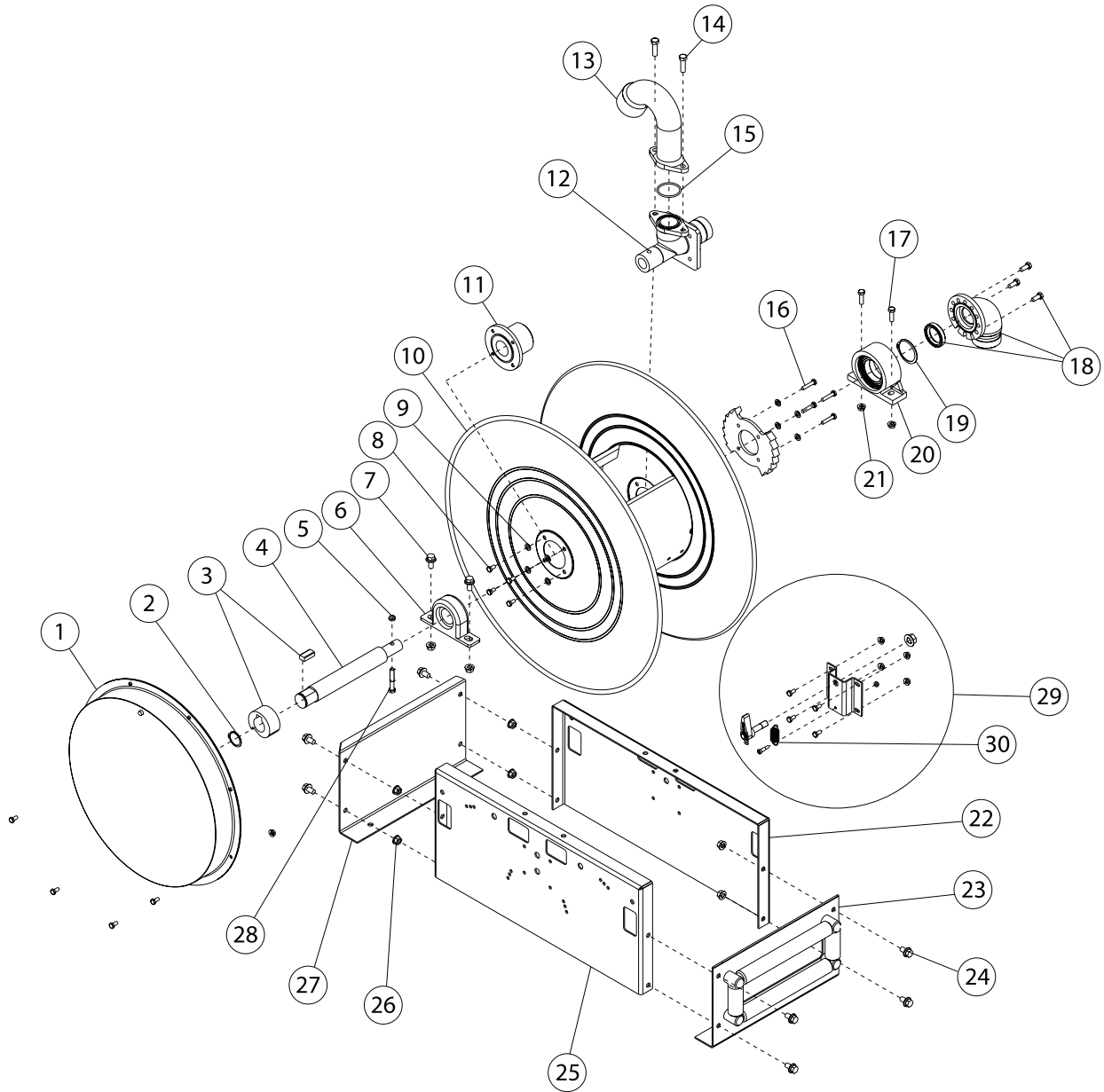


ITEM	DESCRIPTION	QTY.	PART #
1	Drive Spring Kit	1	S602735
	Spring and Case Assembly	1	
	Hex Flange Nut 1/4-20 Whiz Loc	4	
	Hex Cap Screw 1/4-20 x 1/2	4	
2	Arbor and Key Kit	1	S600621
	Spring Arbor and Key Assembly	1	
	Snap Ring 1-1/4"	1	
5	Spring Arbor Kit	1	S260888
	Spring Arbor	1	
	Hex Cap Screw 1/4-20 x 1/2	4	
	Split Lock Washer 1/4 (M)	4	
8	Ratchet Kit	1	S261115
	Latch Ratchet	1	
	Cap Screw 1/4-20 x 1-1/4"	4	
	Split Lock Washer 1/4 (M)	4	
10	Latch Kit	1	S602736
	Latch Pawl Assembly	1	
	Shoulder Screw 10-32 2A Thread	1	
	Hex Cap Screw 1/4-20 x 1/2	4	
	Hex Flange Nut 1/4-20 Whiz Loc	4	
	Hex Flange Nut 1/2-20 Non Loc	1	
	Nyloc Nut 10-32	1	
10a	Latch Spring Kit	1	S260067

Series G9000 Spring Driven Hose Reels

ITEM	DESCRIPTION	QTY.	G9465 OLPBW	G9600 OLPBW	G9300 OMPBW	G9400 OMPBW
3	Support Shaft Kit	1	S263001	S263027	S263001	S263001
	Support Shaft	1				
	Nyloc Nut 5/16-18 UNC	1				
	Hex Cap Screw 5/16-18 x 2" Grade 8	1				
4	Bearing Kit	1	S263000	S602240	S263000	S263000
	Bearing	2				
	Machine Screw 3/8-16 x 3/4 Whiz Loc	4				
	Hex Flange Nut 3/8-16 Non Loc	4				
	Snap Ring 1-3/8 (Shaft)	1				
6	Spindle Kit	1	S263006	S263026	S263006	S263006
	Plumbing Axel 1" Short	1				
	Gooseneck	1				
	Socket Head Cap Screw 5/16-18 x 3/4	4				
	O-Ring 1.35 x ID x 1.77 OD x .210	1				
7	Swivel Kit	1	S600682	S261700	S600682	S600682
	Swivel Assembly 1" NPTF (F) x 1" NPTF (F)	1				
	Reducing Bushing	1				
9	Spool Kit	1	S602737	S602746	S602734	S602737
11	End Frame Kit (with Roller Guide)	1	S602739	S602740	S602739	S602739
	End Frame and Roller Guide Assembly	1				
	Machine Screw 3/8-16 x 5/8 Hex Flange Whiz Loc	4				
	Hex Flange Nut 3/8-16 Non Loc	4				
12	Side Frame Kit	1	S262993	S263016	S262993	S262993
13	End Frame Kit	1	S262995	S263008	S262995	S262995
	End Frame	1				
	Machine Screw 3/8-16 x 5/8 Hex Flange Whiz Loc	4				
	Hex Flange Nut 3/8-16 Non Loc	4				
---	Hose Assembly	1	S601027-65	None	None	None
---	Bumper Stop	1	S4-HR1005	None	None	None

Series G9000 Spring Driven Hose Reels



Item #	Description	# Req	G9600 OLPBW	Item #	Description	# Req	G9600 OLPBW
1	Spring & Case Assembly	1	602735	16	Cap Screw	4	S2-46
2	Snap Ring	1	300007	17	Hex Cap Screw	2	S2-55
3	Arbor & Key Assembly	1	S600621	18	90° Adapter Kit	1	S261700
4	Support Shaft	1	263027	19	Snap Ring	1	S140-45
5	Nyloc Nut	1	S85-7	20	Bearing	1	602240
6	Bearing	1	263000	21	Lock Nut	2	300107
7	Machine Screw	2	S44-3	22	Side Frame	1	263016
8	Hex Cap Screw	12	S2-41	23	Guide Roller Assembly	1	S602740
9	Split Lock Washer	8	902016	24	Machine Screw	8	S44-2
10	Sheave Assembly	1	602746	25	Side Frame	1	262993
11	Spring Arbor	1	260888	26	Hex Flange Nut	10	S281-6
12	Spindle	1	263026	27	End Frame	1	263008
13	Gooseneck	1	261694-3	28	Hex Cap Screw	1	S376-59
14	Socket Head Cap Screw	2	S347-66	29	Latch Pawl & Bracket Service Kit	1	S602755
15	O-Ring	1	S211-224	30	Latch Spring	1	S260067